

HARDWARE:



BRASS



BLACK



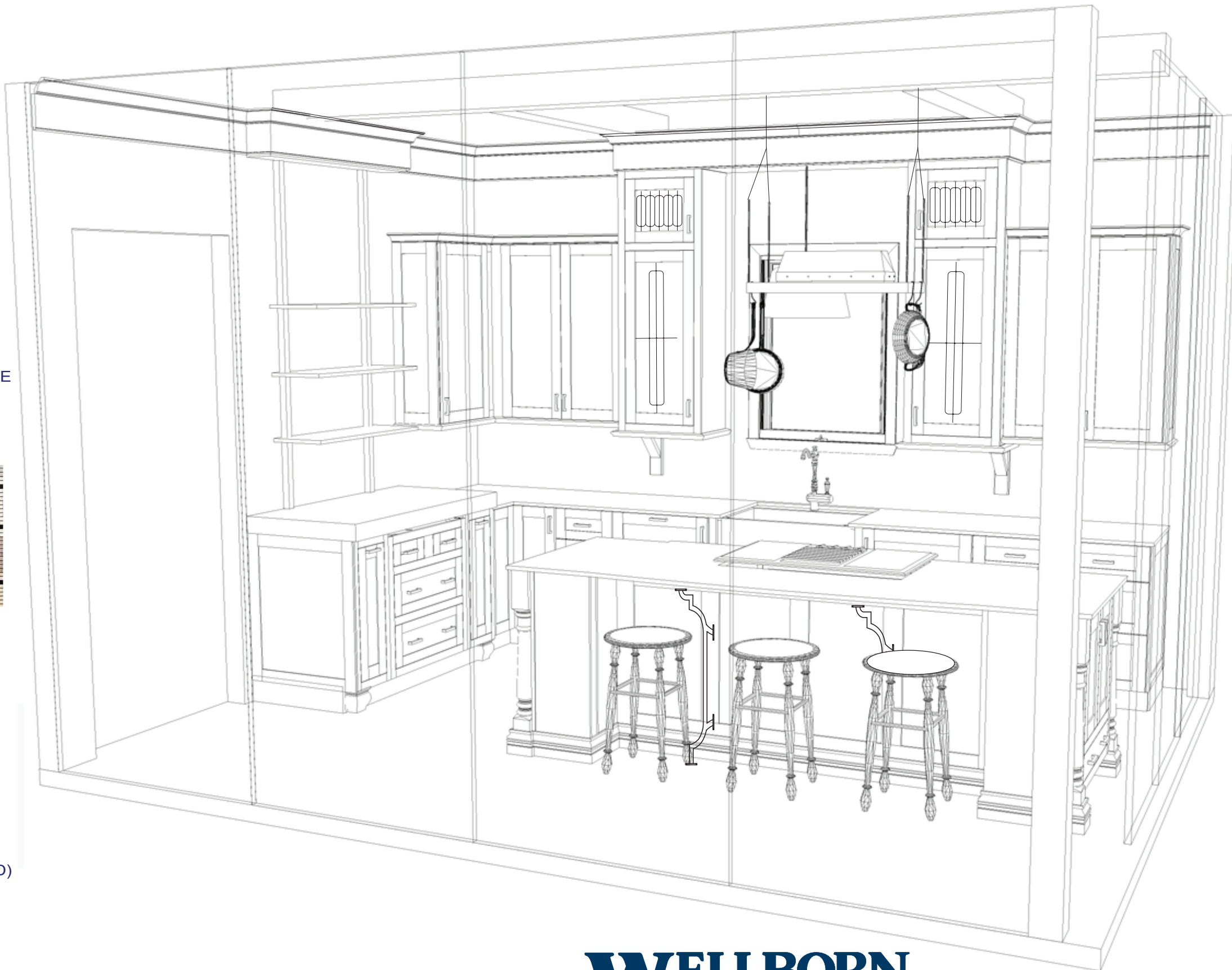
LIGHTING FIXTURE (TBD)



FLOORING (inspiration)



BAR STOOLS (TBD)

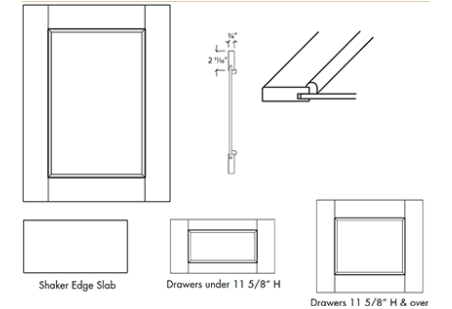


“MODERN FRENCH BISTRO”

DOOR STYLES & FINISHES

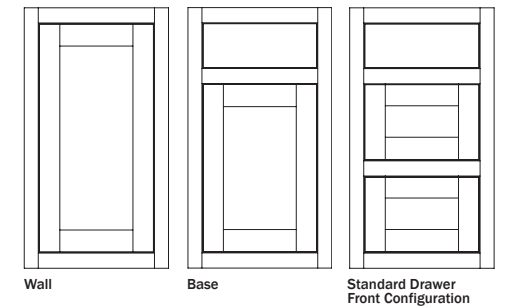
ESTATE SERIES  
NEW ECC CONSTRUCTION  
STANDARD MAPLE DRAWERS

NEW SIMPLE BEADED DOOR



MAPLE OYSTER WHITE

HANOVER BEADED INSET



MAPLE AQUA

MAPLE BLEU

**WELLBORN**  
CABINET, INC.<sup>®</sup>  
*The Essence of Cabinetry*

KBIS 2019  
SET 6 PERSPECTIVE

PAGE 1 of 12  
NOT TO SCALE

*David M. Mer*  
5/30/18  
DRAFT 3- NOT FINAL



*David M. Mer*  
5/30/18  
DRAFT 3- NOT FINAL

**WELLBORN**  
CABINET, INC.®  
*The Essence of Cabinetry*

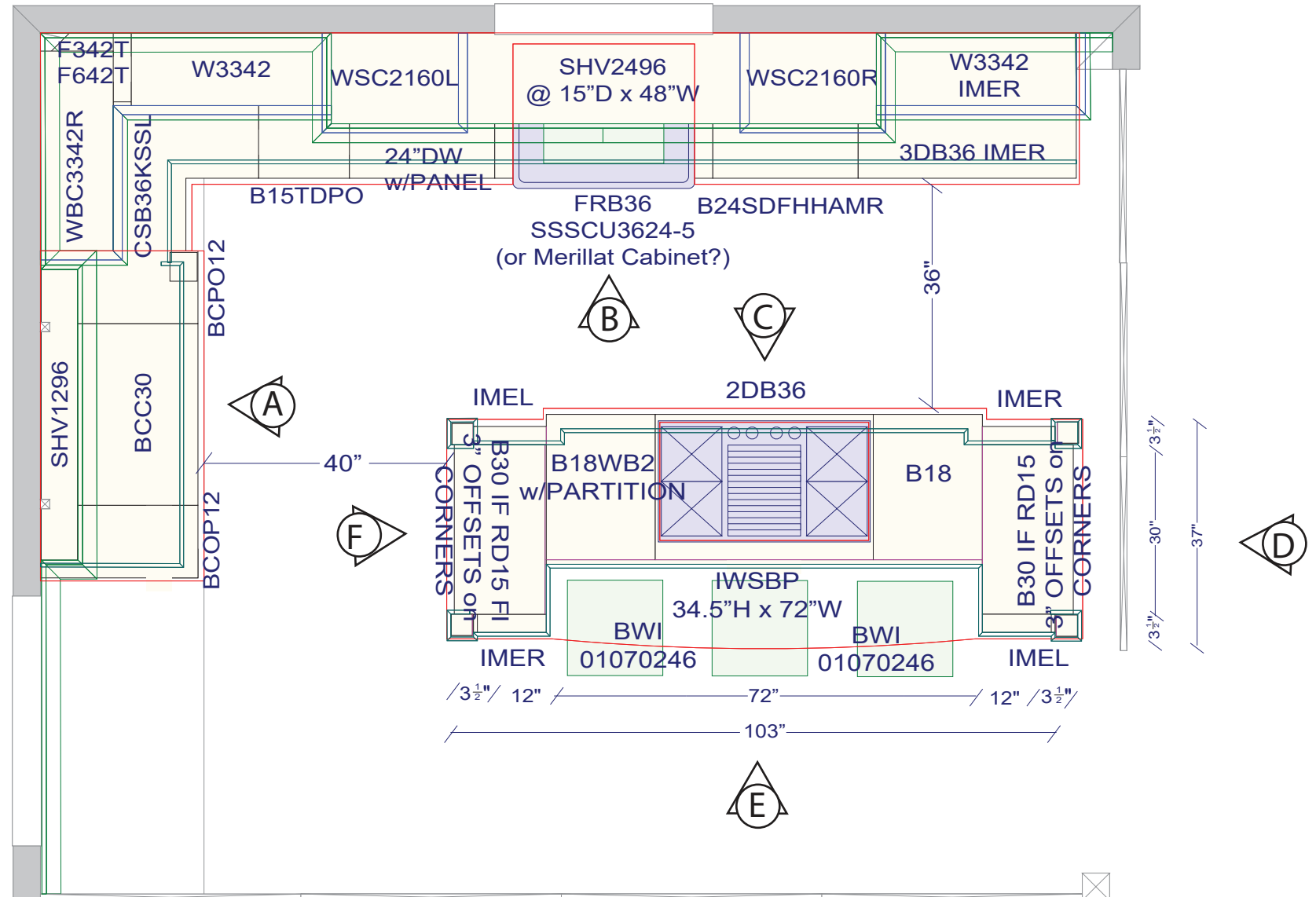
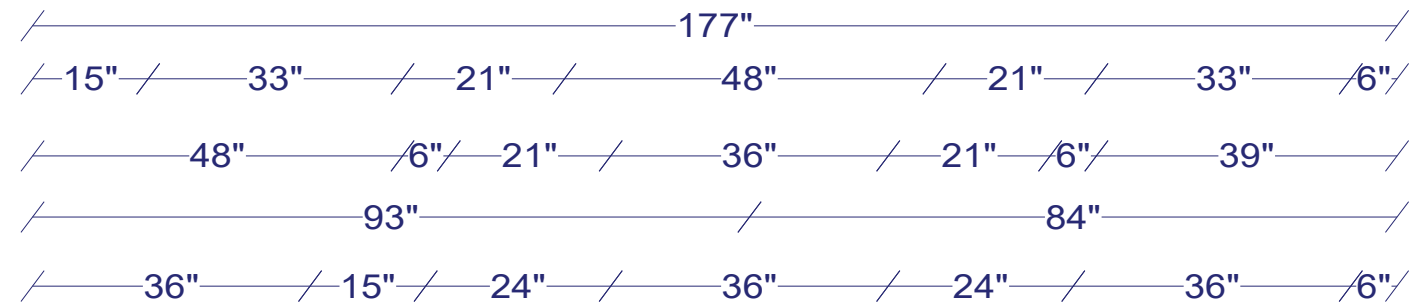
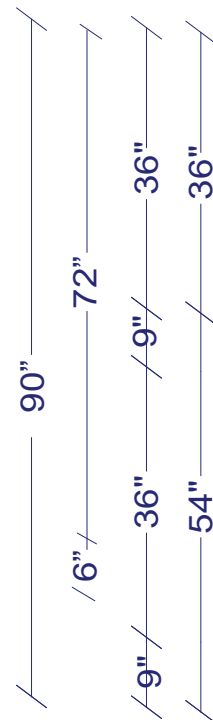
KBIS 2019  
SET 6 COLOR PERSPECTIVE

PAGE 2 of 12  
NOT TO SCALE

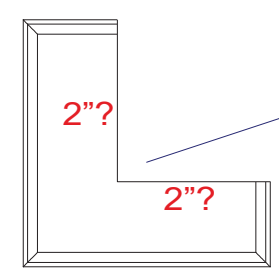
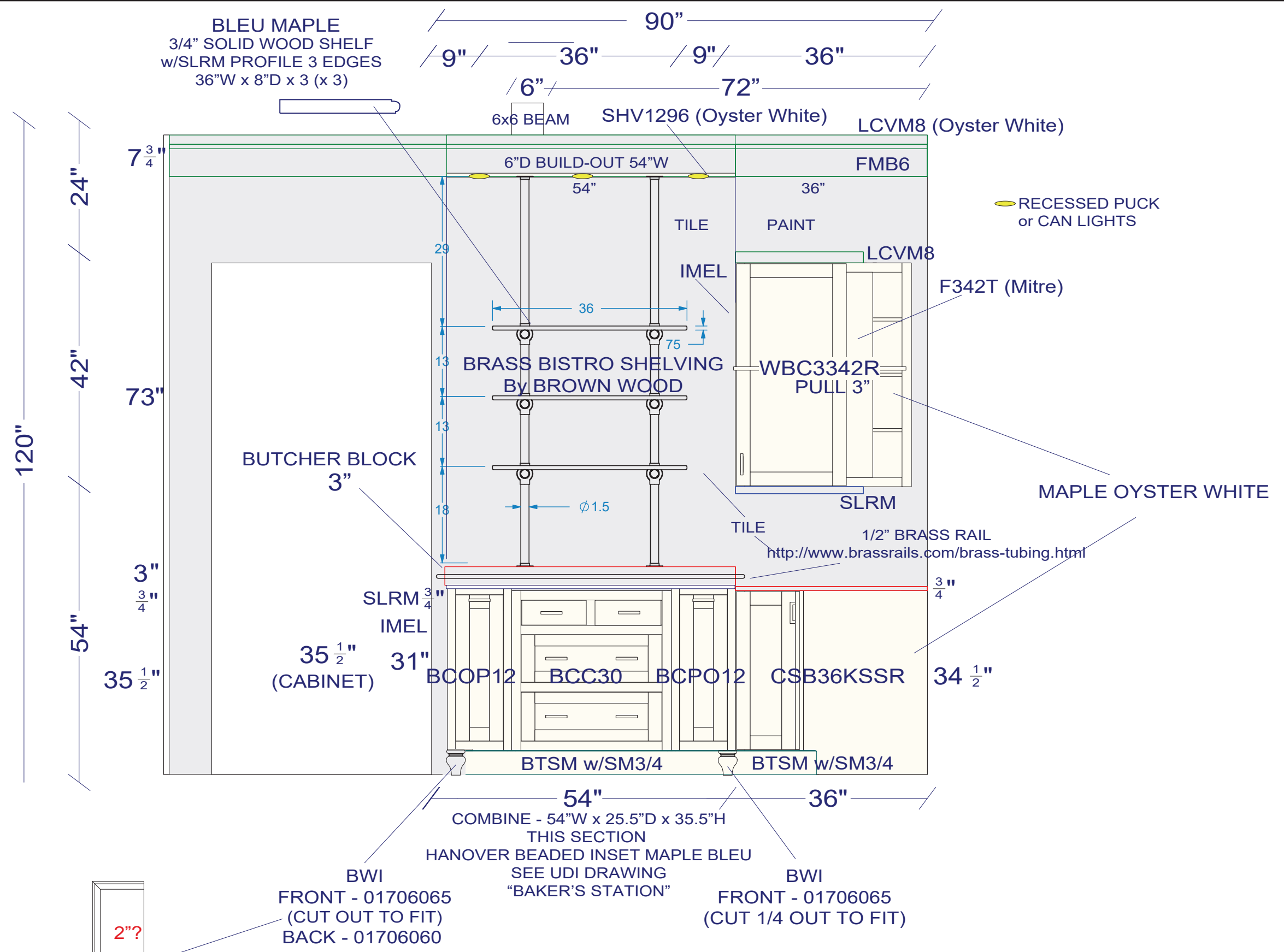
**MOULDING & TRIM**

- LCVM8 (Crown @ WSC1860's & Wall & 42"H Cabinets)
- FMB6 (Below Crown @ WSC1860's)
- MS8 (Mounting Strip for FMB6)
- SLRM (@ Light Rail & Base Cabinets on Hutch)
- IC3/4 (@ R&L of IWSBP)
- FMB6 (As Base Molding @ Island)
- BTSM (Toe)
- SM3/4 (Shoe)
- SSM3/4 (As needed)
- (2) BUN FEET (BWI - 01706065)
- (1) TOE BUN FOOT (BWI - 01706060)
- (4) ISLAND LEGS (BWI-01510202 "Astor")
- (2) ISLAND SUPPORTS (BWI - 0170246)
- WIRE MESH (@ W1860's) - Klise Mfg
- BISTRO SHELF SUPPORTS (BWI)
- 1/2" BRASS RAILING @ Butcher Top

HAFELE TO SUPPLY LIGHTING PLAN  
WILL PREP FOR LIGHTING  
AT INSTALL



*[Signature]*  
5/30/18  
DRAFT 3- NOT FINAL



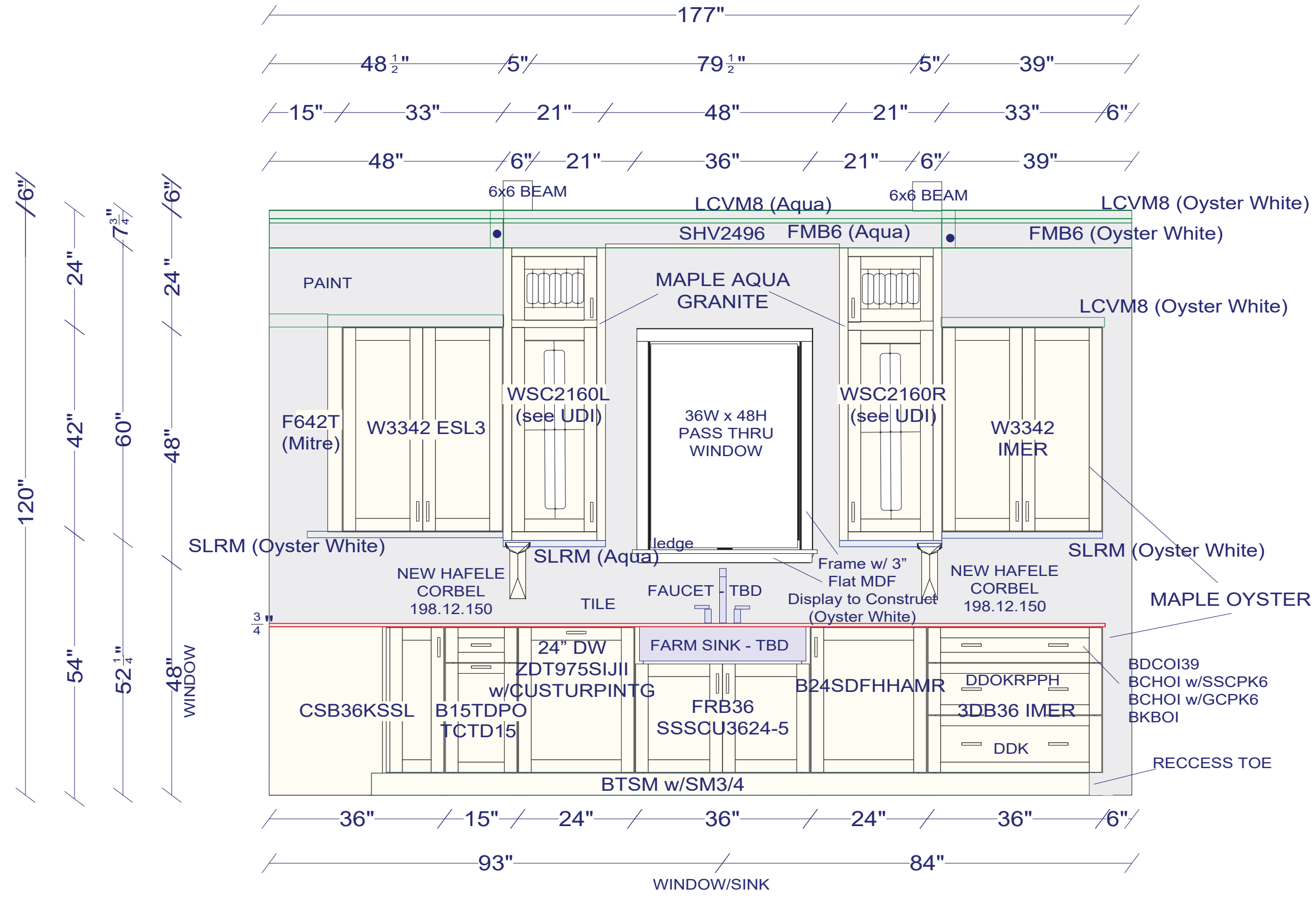
**WELLBORN**  
CABINET, INC.  
*The Essence of Cabinetry*

KBIS 2019  
SET 6 ELEVATION (A)

*Signature*  
5/30/18  
DRAFT 3- NOT FINAL



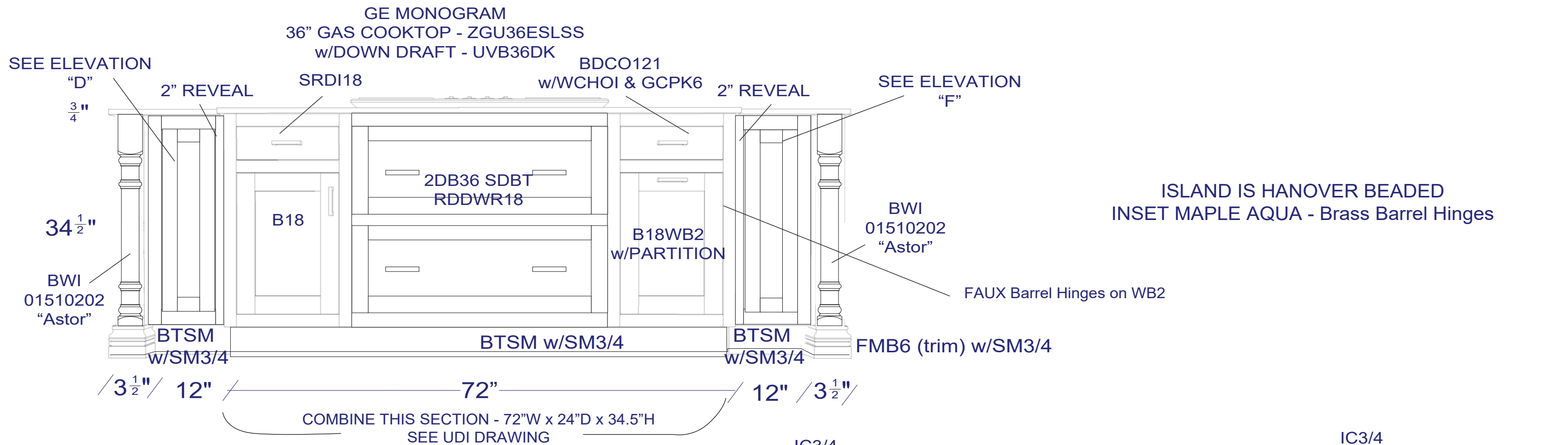
● MAKE CROWN  
CORNER BLOCK  
w/SHV & LCVM8  
(Oyster White)



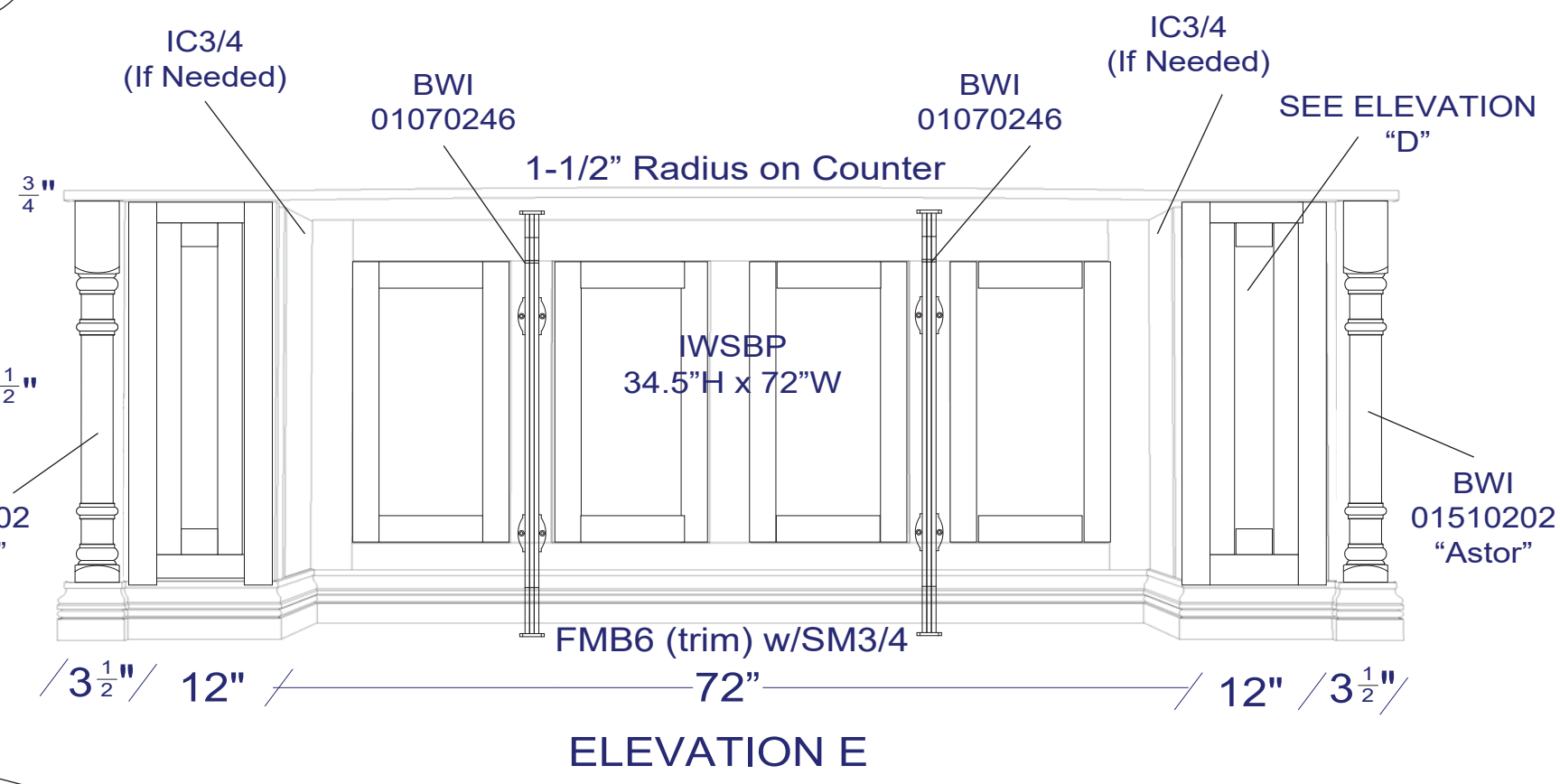
*Signature*  
5/30/18  
DRAFT 3- NOT FINAL



KBIS 2019  
SET 6 ELEVATION (B)



ELEVATION C

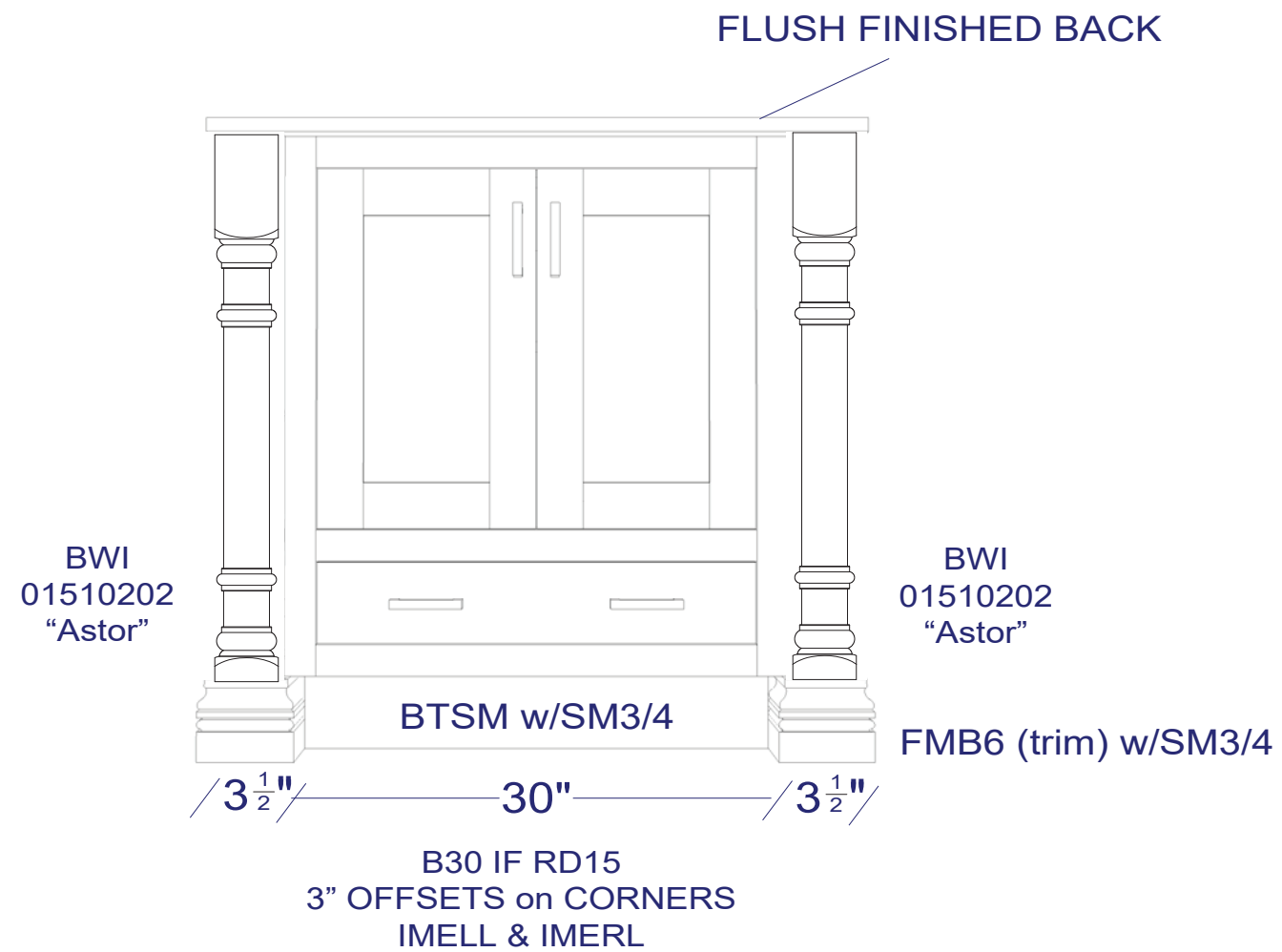


ELEVATION E

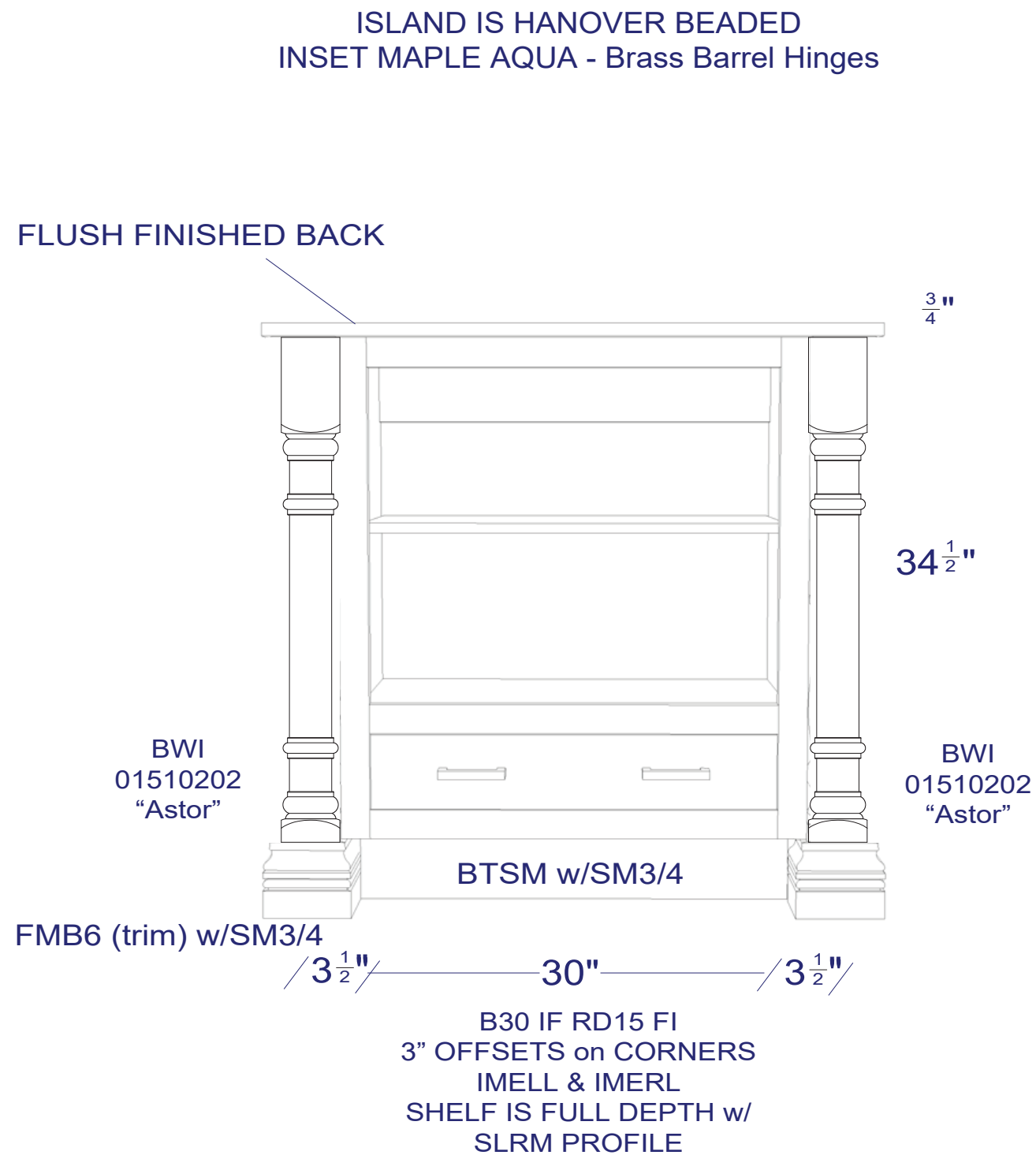
*Handwritten Signature*  
5/30/18  
DRAFT 3- NOT FINAL



KBIS 2019  
SET 6 ELEVATION (C & E)



ELEVATION D



ELEVATION F

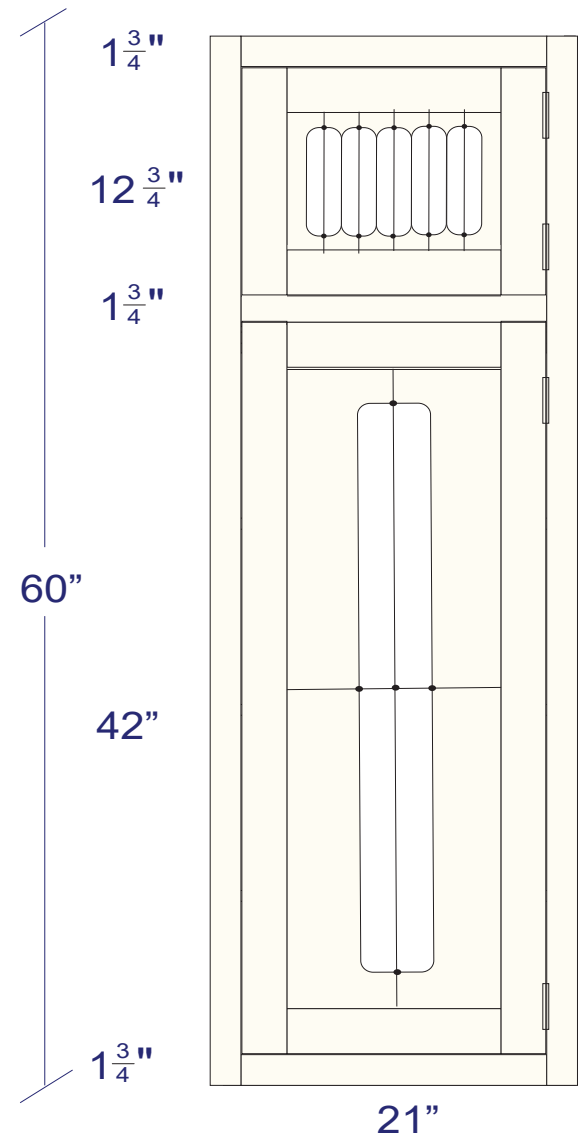
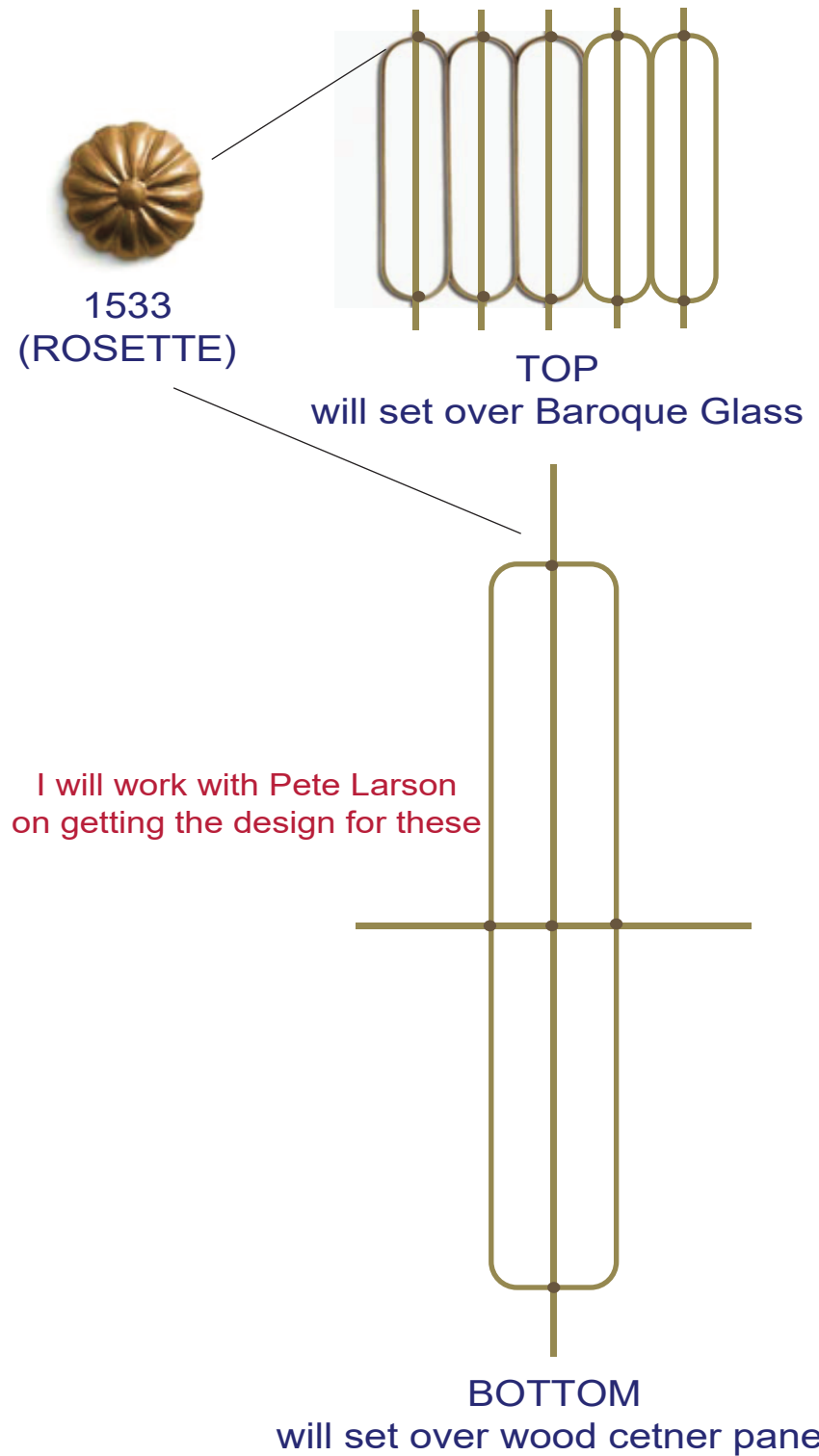
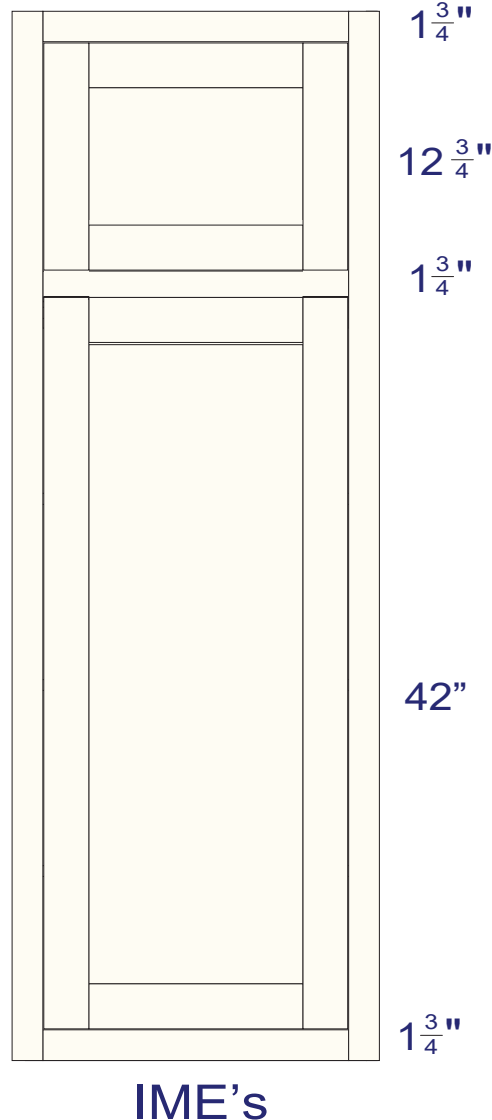
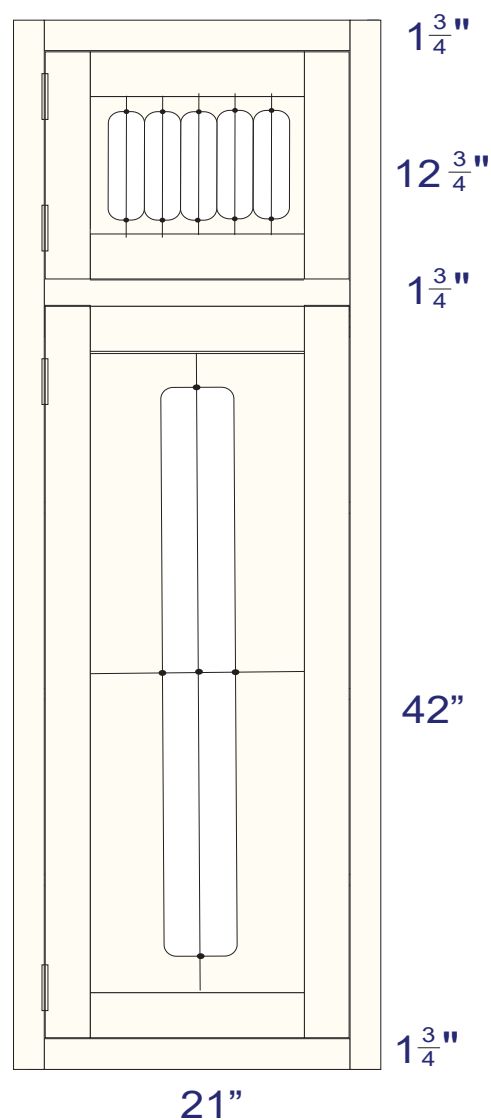
*David M. Mer*  
5/30/18  
DRAFT 3- NOT FINAL



KBIS 2019  
SET 6 ELEVATION (D & F)

HANOVER BEADED INSET AQUA GRANITE  
w/BRASS BARREL HINGES

KLISE MANUFACTURING  
CUSTOM WIRE GRILL  
STYLE 660



WSC2160L FIFD  
1DDFINTOP CBG MD15  
FCER IMERL

NOTE:  
WSC2160's will have Modified Rails so bottom doors are 42" and align with adjacent wall cabinets with 1-3/4" Rail above and below. Adjust top section as needed. Cabinet will be 15"D. Integrated Door Panels on sides to align with front.

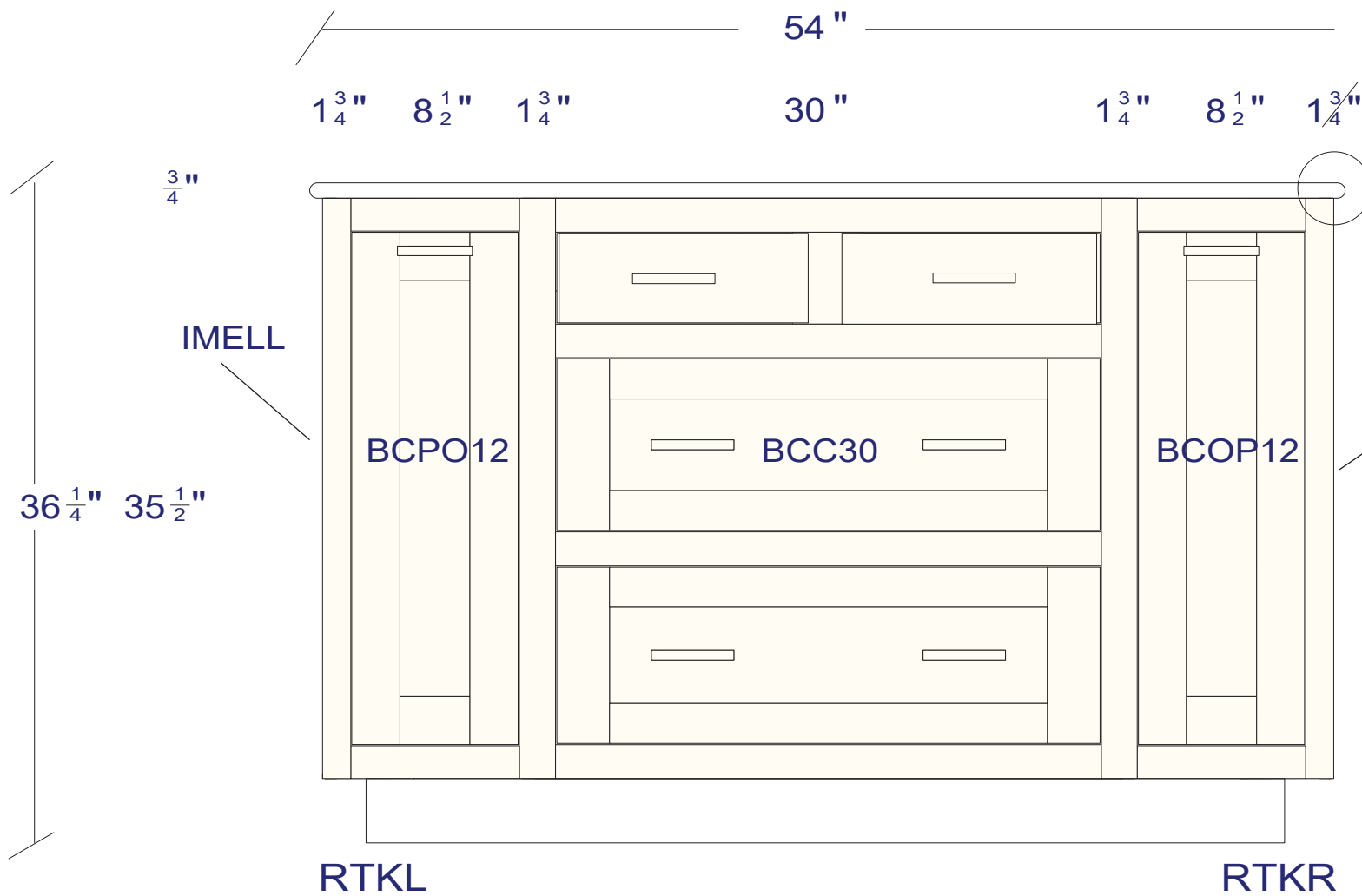
WSC2160R FIFD  
1DDFINTOP CBG MD15  
FCER IMELL  
MAKE AS PAPER TOWEL  
HOLDER CABINET - NEW  
(see image)

*Signature*  
5/30/18  
DRAFT 3- NOT FINAL



KBIS 2019  
SET 6 UDI DRAWINGS - WSC2160's





3" END GRAIN BUTCHER TOP  
(By Others - TBD)

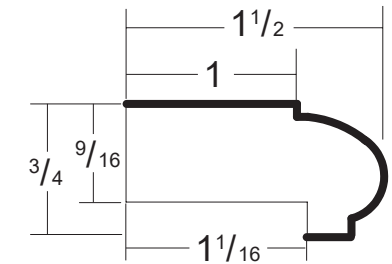
FLUSH END

PLYWOOD  
(for counter support)

SLRM

FACE  
FRAME

DISPLAY TO APPLY?



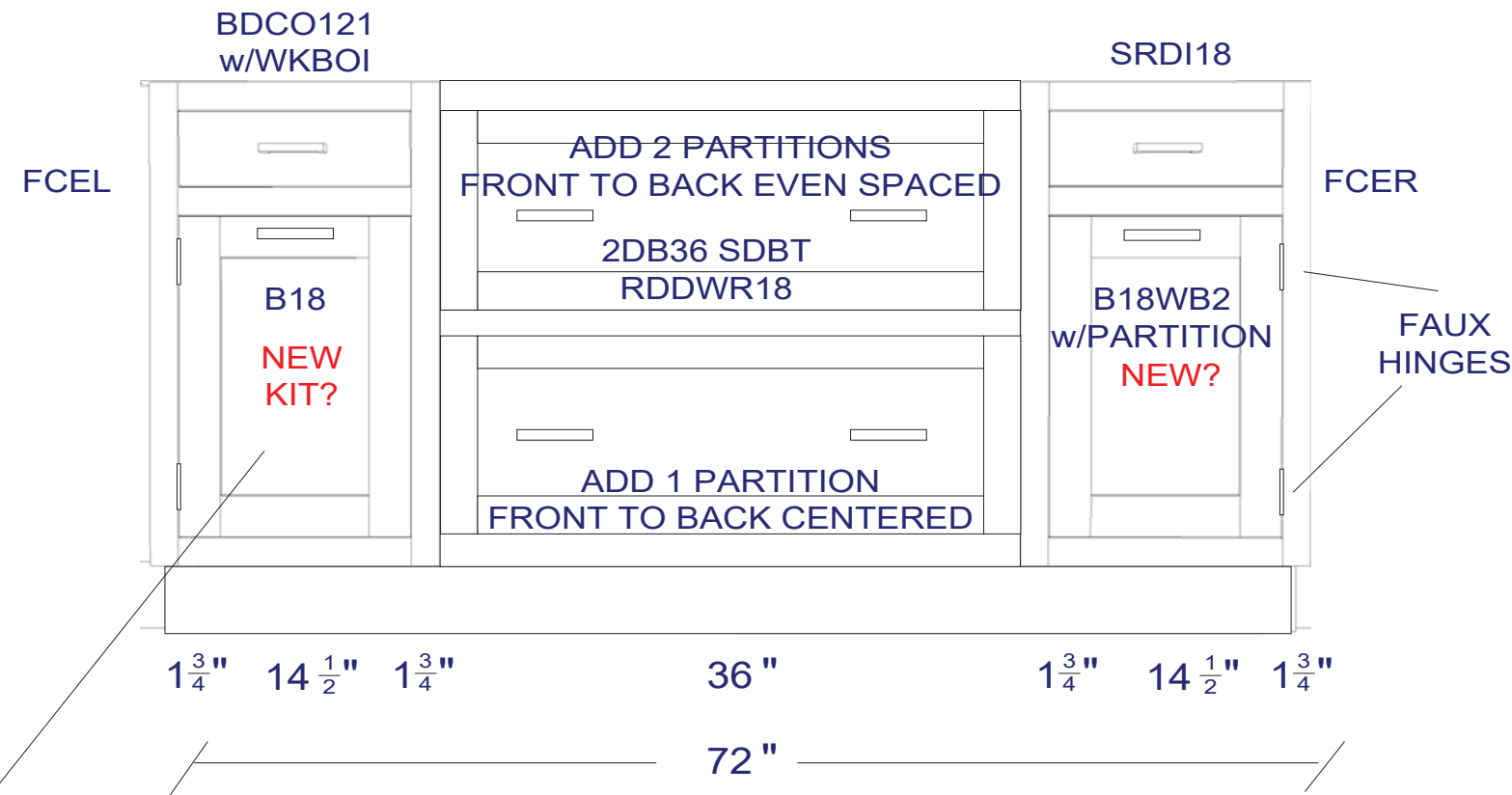
COMBINE - 54"W x 25.5"D x 35.5"H

HANOVER BEADED INSET  
MAPLE BLEU  
VINTAGE (Charcoal) ?

*Handwritten signature*  
5/30/18  
DRAFT 3- NOT FINAL

**WELLBORN**  
CABINET, INC.  
*The Essence of Cabinetry*

KBIS 2019  
SET 6 UDI DRAWINGS - "BAKER'S STATION"

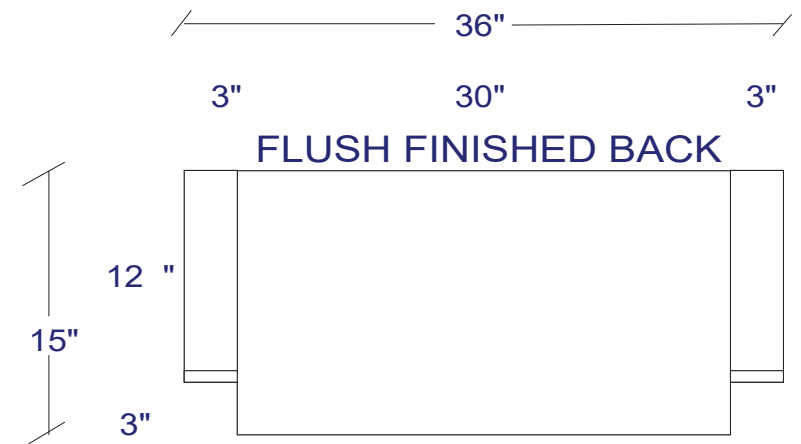


COMBINE - 72"W x 24"D x 34.5"H

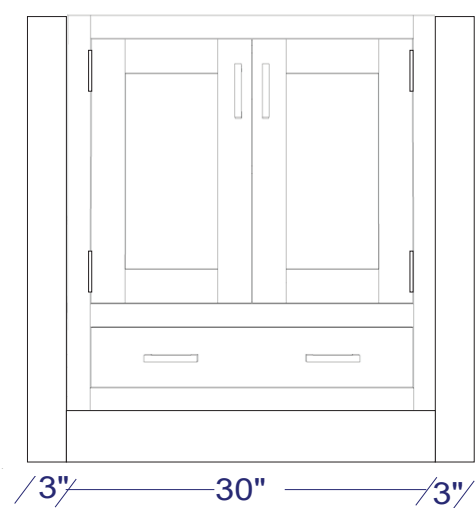
ELEVATION C

REV-A-SHELF  
GLD-W22-BC-7  
22" Maple Glideware?

HANOVER BEADED INSET AQUA GRANITE  
w/BRASS BARREL HINGES

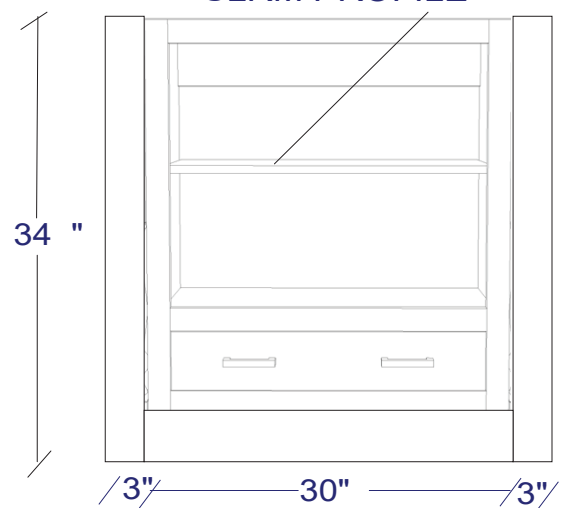


B30 IF RD15  
3" OFFSETS on CORNERS  
IMELL & IMERL

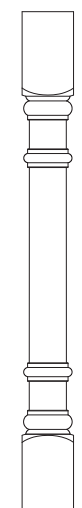


ELEVATION D

B30 IF RD15 FI  
3" OFFSETS on CORNERS  
IMELL & IMERL  
SHELF IS FULL DEPTH w/  
SLRM PROFILE



ELEVATION F



INSTALL LEG ON OFFSETS  
BWI - 01510202  
"Astor"

*Signature*  
5/30/18  
DRAFT 3- NOT FINAL

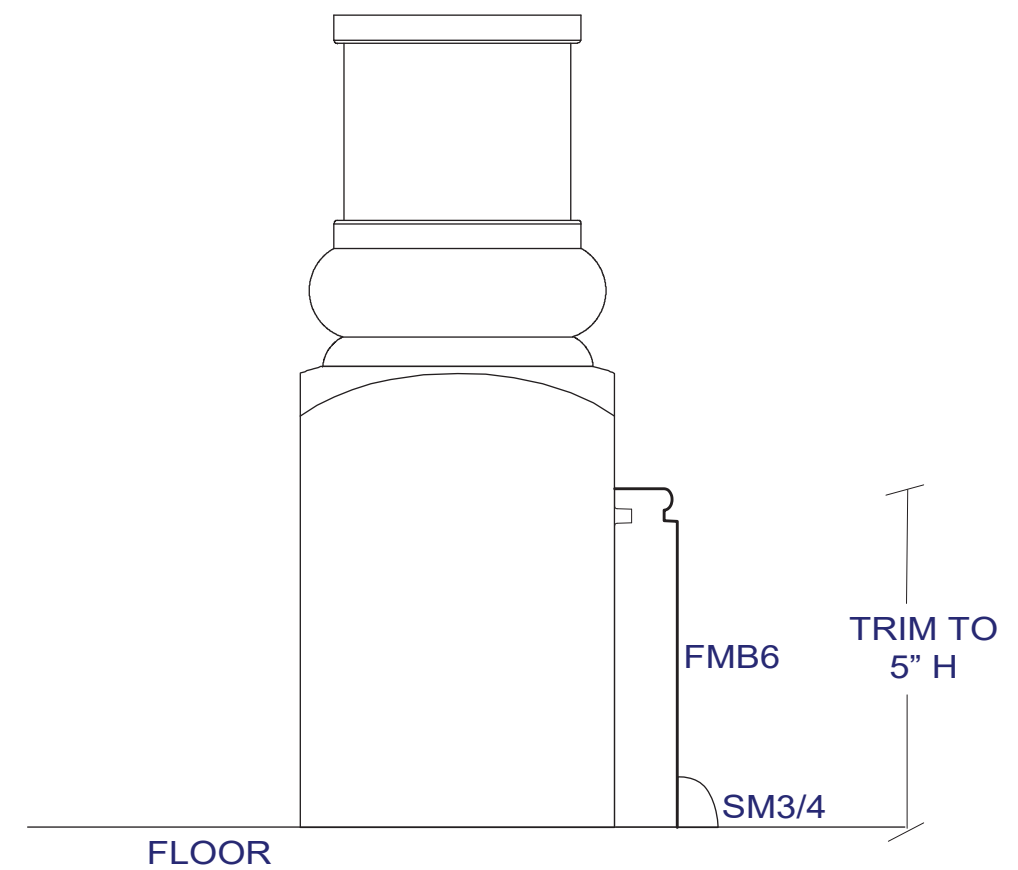
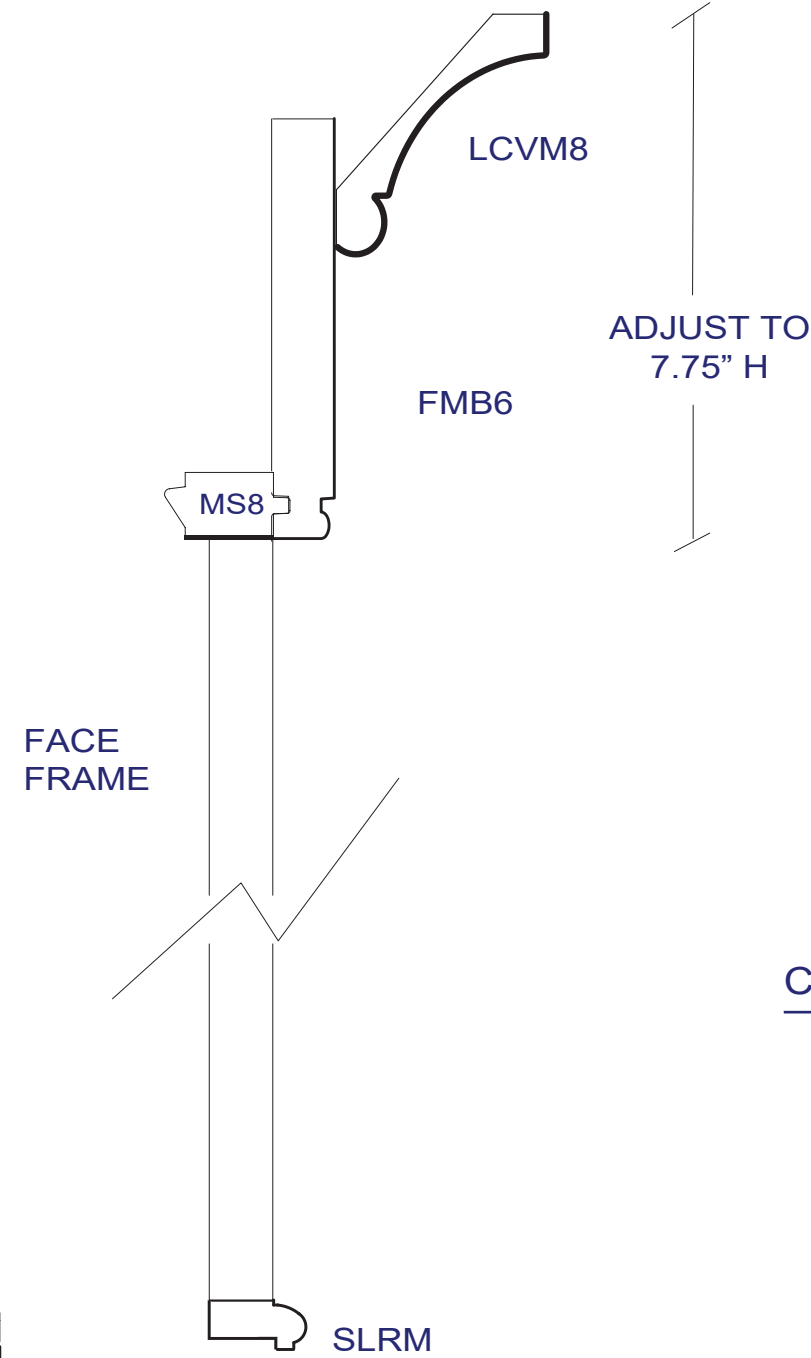
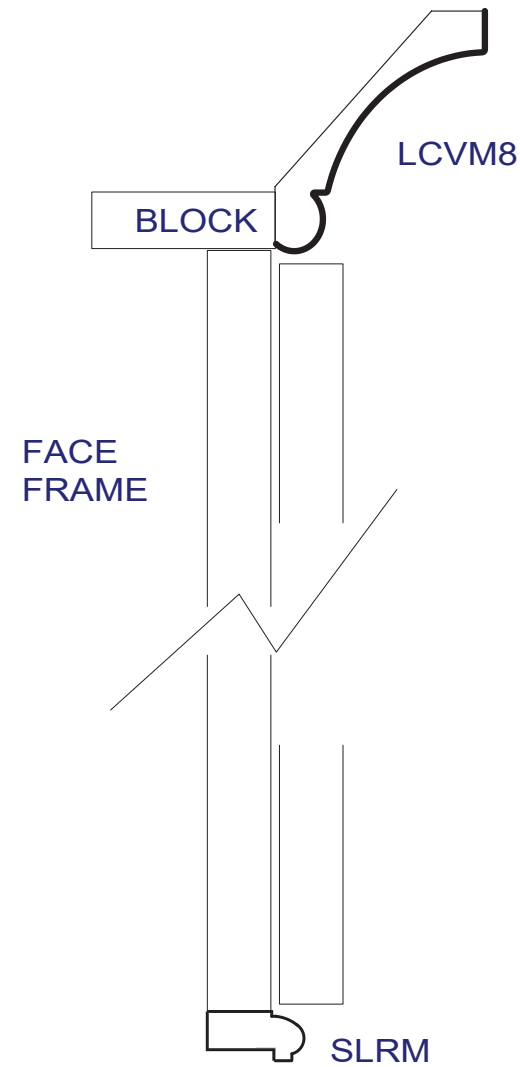


KBIS 2019  
SET 6 UDI DRAWINGS - ISLAND

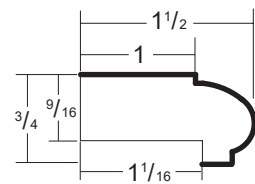
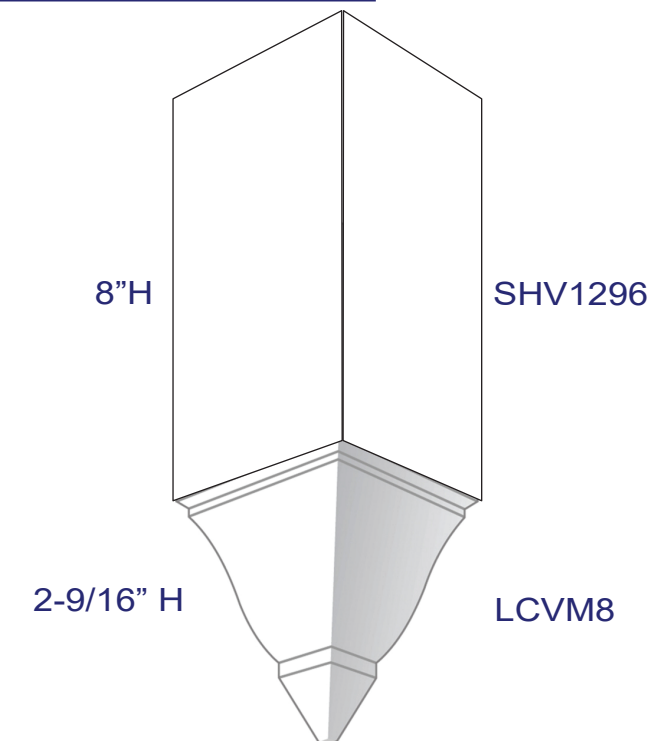
42"H WALL CABINETS

60"H WALL CABINETS & @ WALL

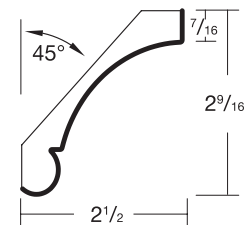
BASE BOARD @ ISLAND BACK & LEGS



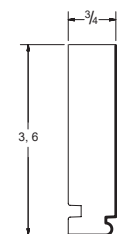
CROWN CORNER BLOCK @ WSC1860's



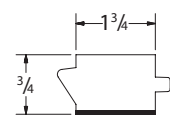
SLRM



LCVM8



FMB6

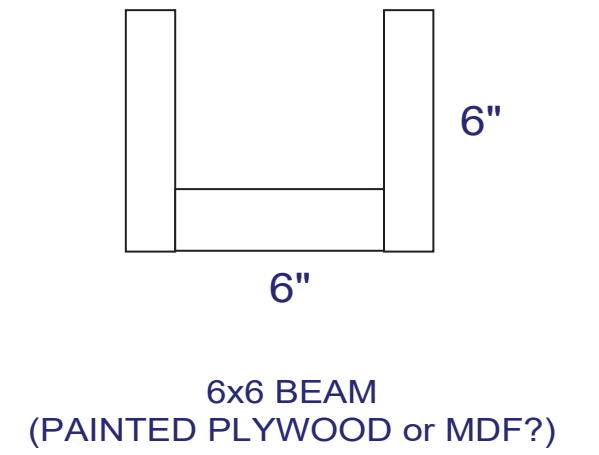
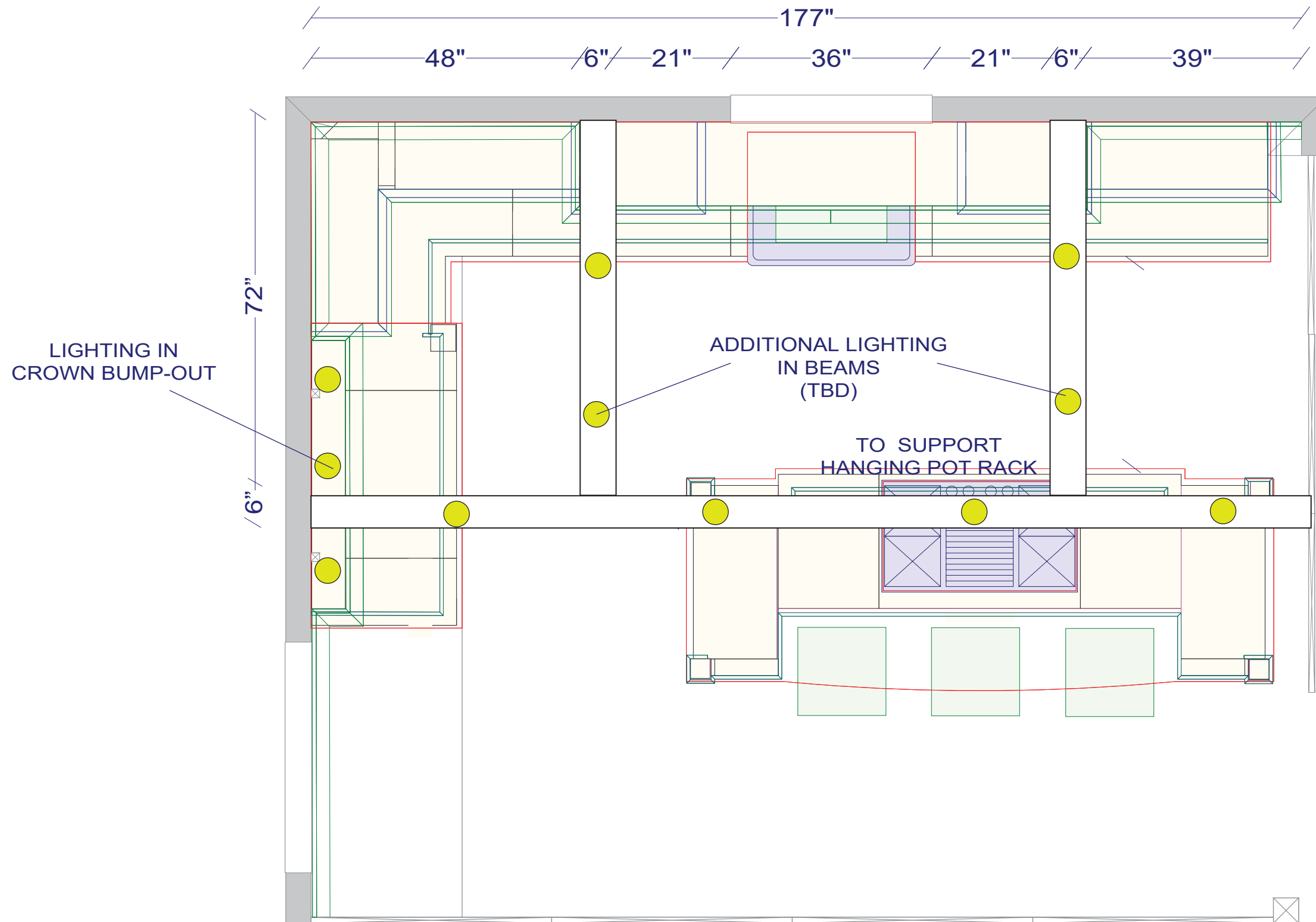


MS8



KBIS 2019  
SET 6 MOLDING DETAILS

*Handwritten signature*  
5/30/18  
DRAFT 3- NOT FINAL



*David M. Mer*  
5/30/18  
DRAFT 3- NOT FINAL

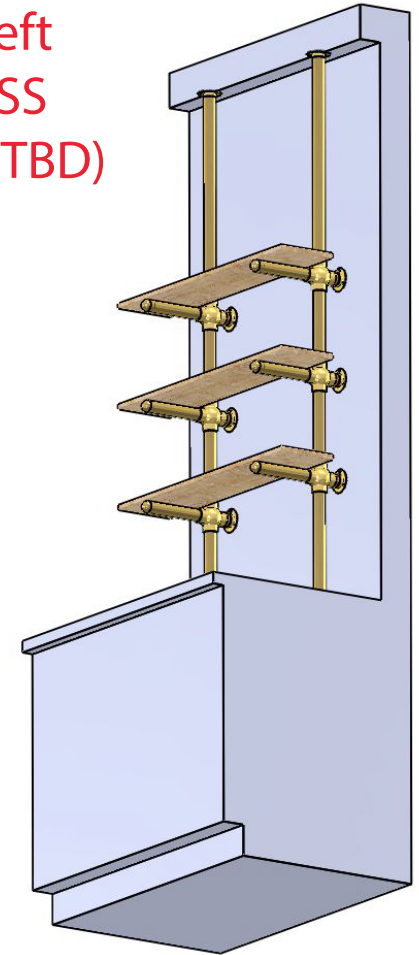
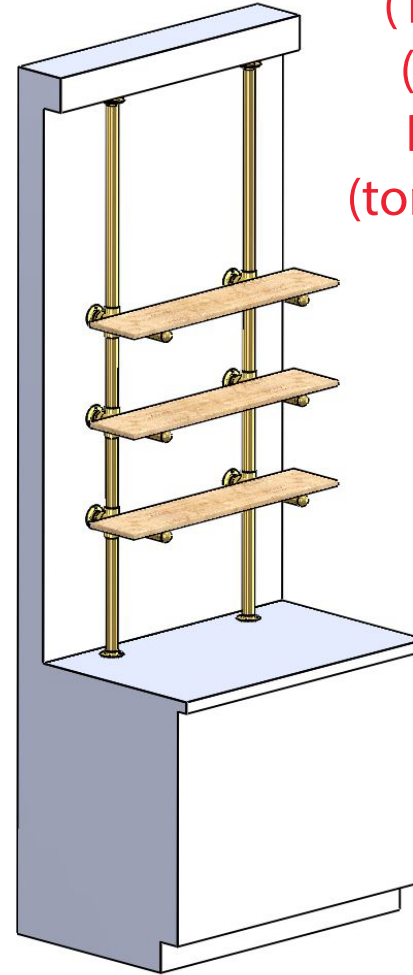
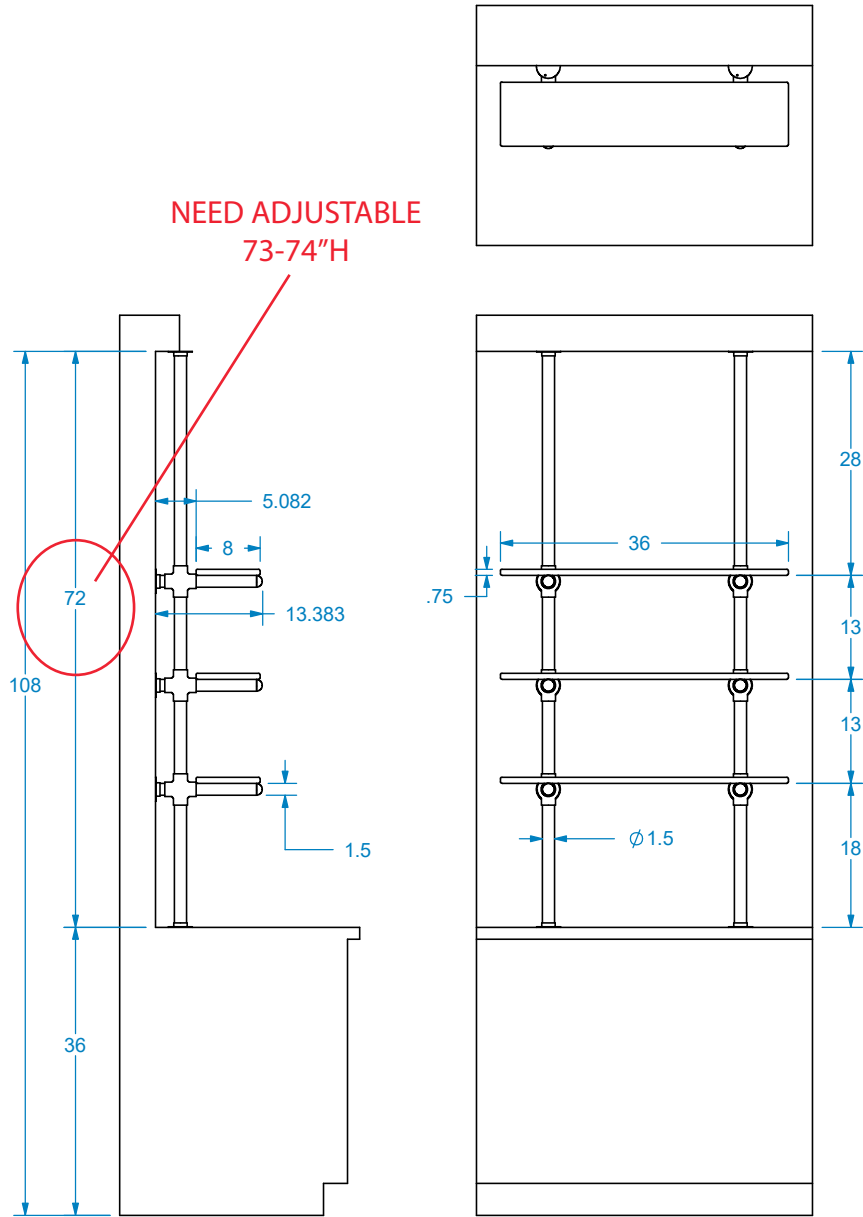
**WELLBORN**  
CABINET, INC.<sup>®</sup>  
*The Essence of Cabinetry*

KBIS 2019  
SET 6 CEILING PLAN

PAGE 12 of 12  
NOT TO SCALE



**KBIS 2019  
SET 6  
(1) Right  
(1) Left  
BRASS  
(tone - TBD)**

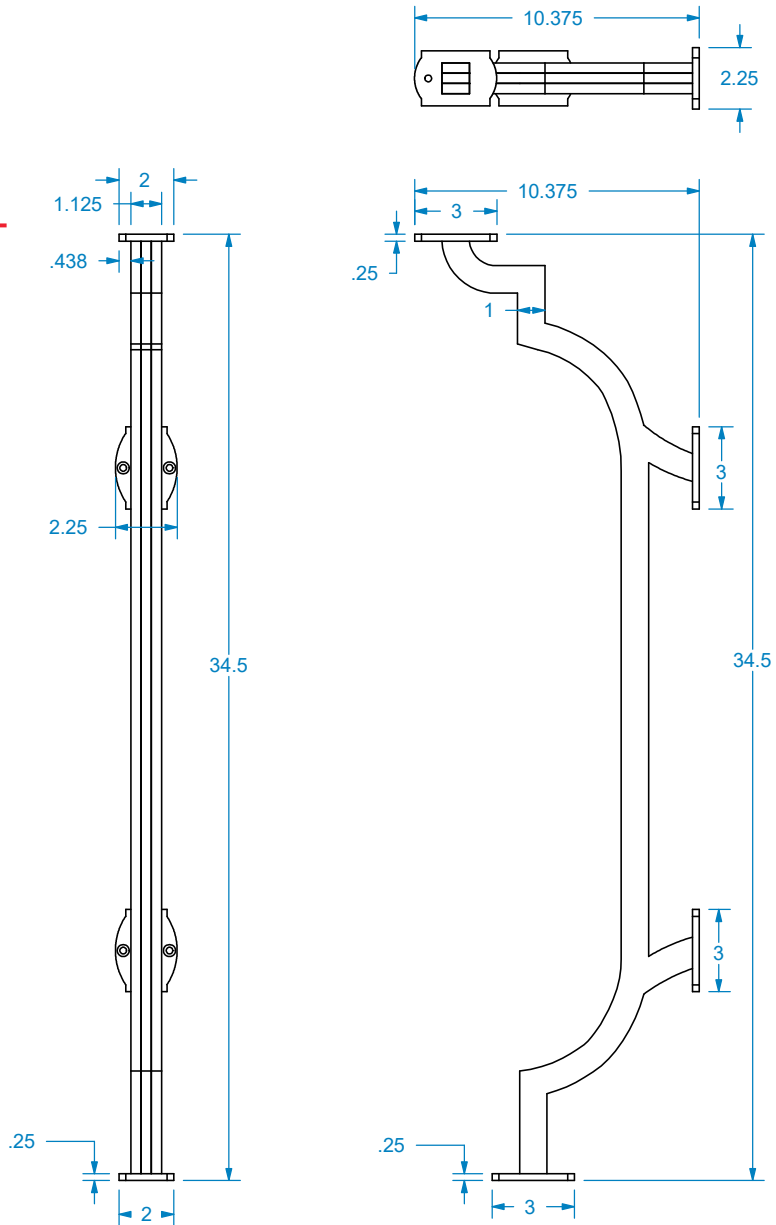
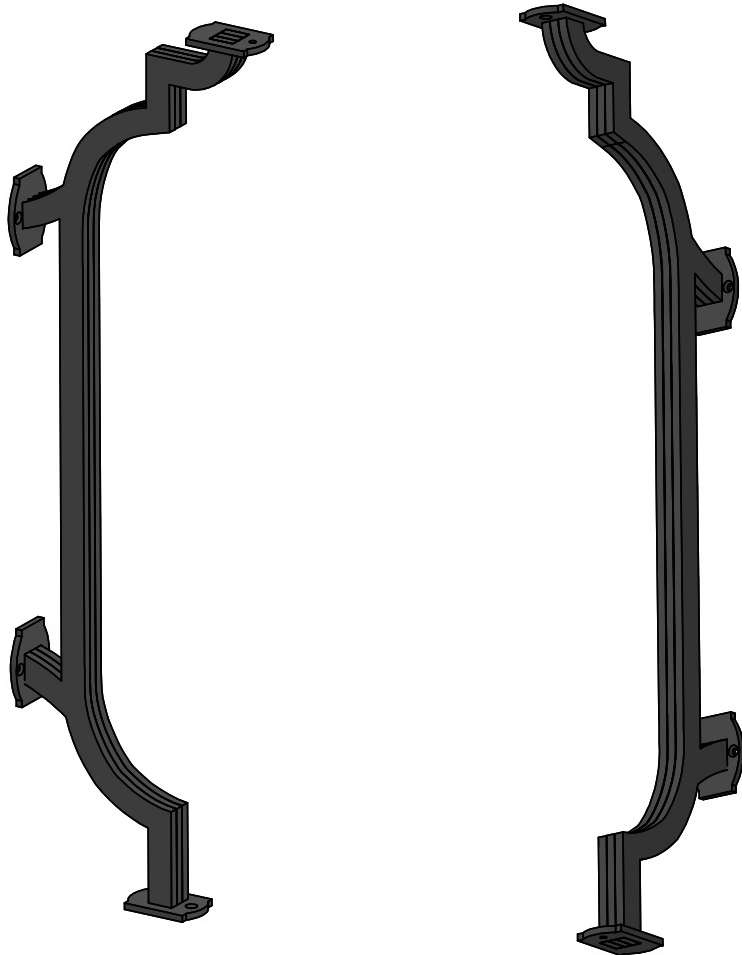


**NOTE: New product in development - please contact  
Kathryn Constantine [kconstantine@brownwoodinc.com](mailto:kconstantine@brownwoodinc.com)**

*Designs of  
distinction*  
by Brown Wood, Inc.  
est. 1927

REVISION HISTORY			TOLERANCES		AVAILABLE WOOD SPECIES		TITLE:
REV	REV DATE	DESCRIPTION	WIDTH	± .03125"	(AK) RED OAK	(AL) ALDER	(CH) CHERRY
			THICKNESS	± .03125"	(HM) HARD MAPLE	(PT) PAINT GRADE	
			LENGTH	± .0625"	(WK) WHITE OAK	(WL) WALNUT	
			ANGULAR	± x.x°	NOTES: ADDITIONAL SPECIES AVAILABLE		
			PROFILE	± x.xxx"			
			Use General Tolerances Unless Noted		Do not scale. Use dimensions only. All dimensions are in inches unless noted		
							<b>MFG</b>
							NOMINAL SIZE XXX" X XXX" X XXX"
							DWG #: <b>Brass 1_5 in tubing</b> REV: A
							DATE: 5/8/2018
							SCALE: 1:24

**KBIS 2019**  
**SET 6**  
**x2**  
**WROUGHT**  
**IRON**



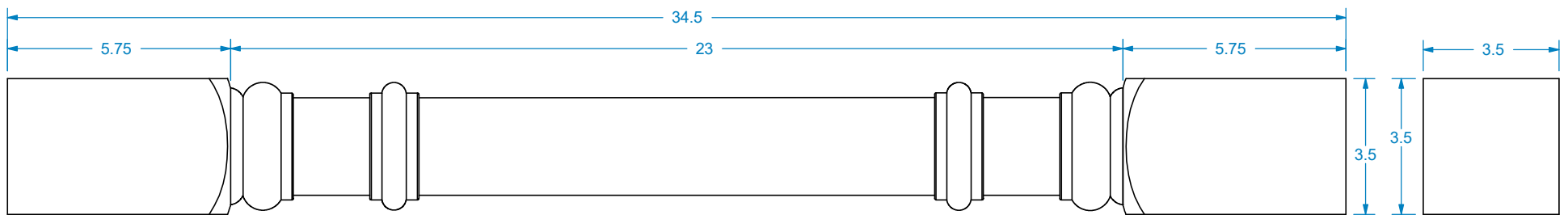
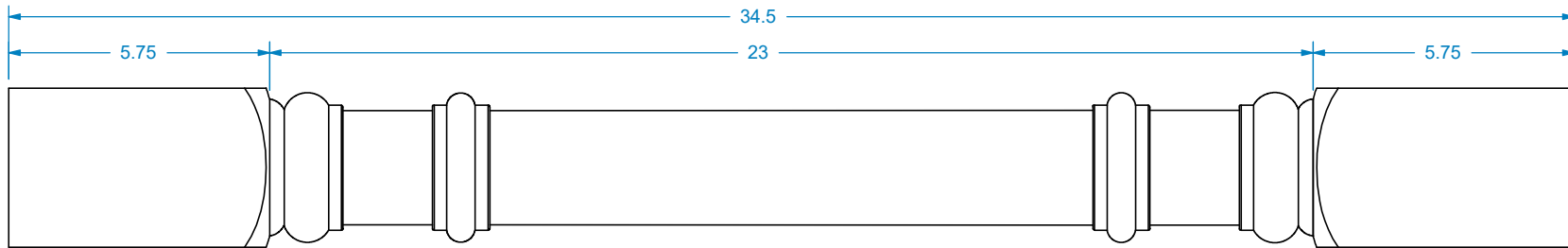
*Designs of*  
**distinction**<sup>®</sup>  
 by Brown Wood, Inc.  
 est. 1927

REVISION HISTORY			TOLERANCES		AVAILABLE WOOD SPECIES
REV	REV DATE	DESCRIPTION	WIDTH	± .03125"	(WR) WROUGHT IRON
A	9/19/2015	UPDATED TO MATCH CATLOG INFORMATION	THICKNESS	± .03125"	
			LENGTH	± .0625"	NOTES: ADDITIONAL SPECIES AVAILABLE
			ANGULAR	± x.x°	
			PROFILE	± x.xxx"	
			Use General Tolerances Unless Noted		Do not scale. Use dimensions only. All dimensions are in inches unless noted

TITLE: EMPIRE ISLAND SUPPORT LEG	
NOMINAL SIZE <b>2.375" X 12" X 34.5"</b>	
DWG #: <b>01070246-1</b>	REV: A
DATE: 9/19/2015	SCALE: 1:7



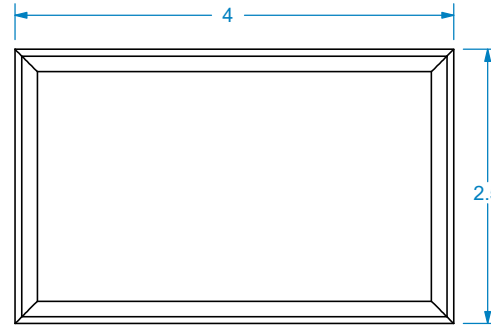
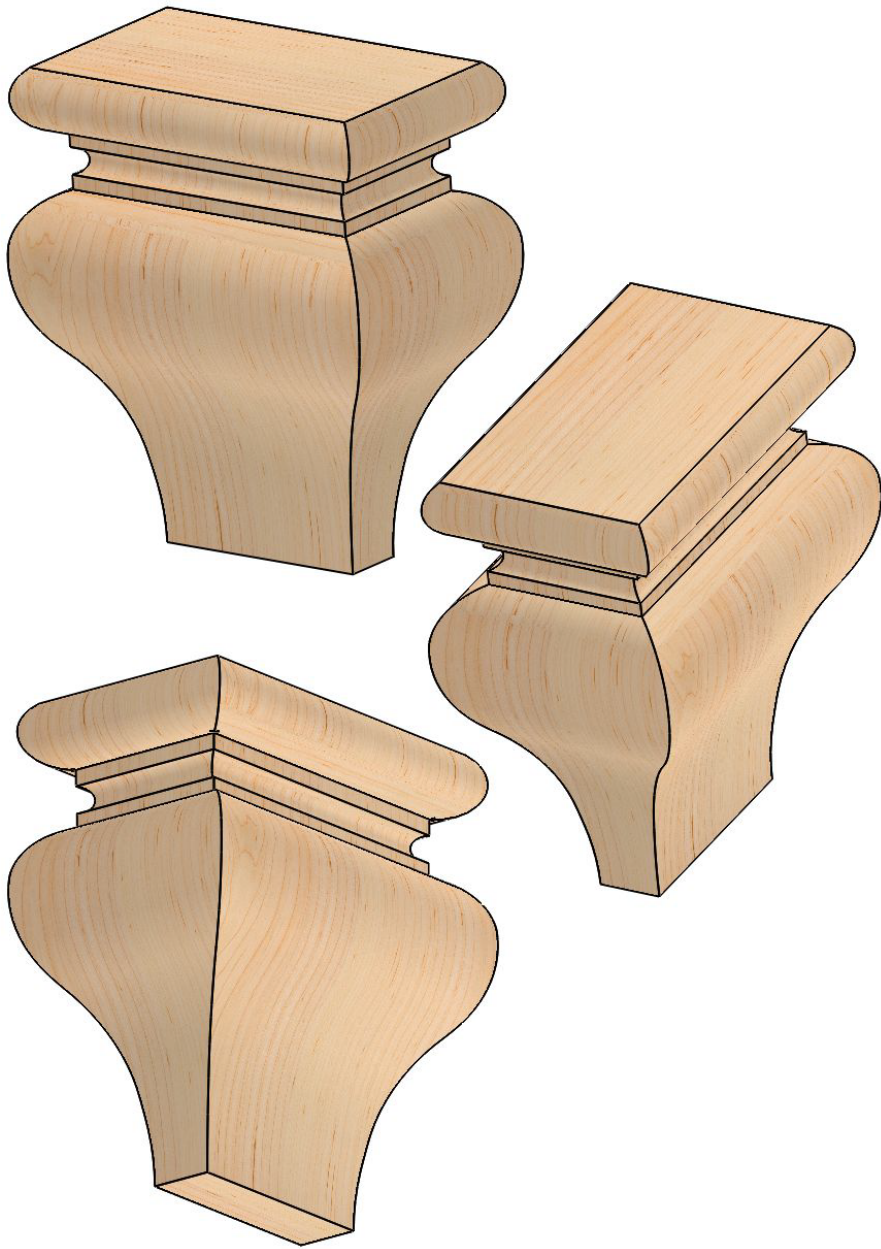
KBIS 2019  
SET 6  
x4  
MAPLE



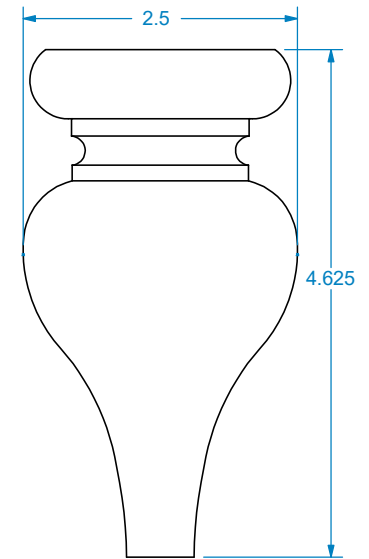
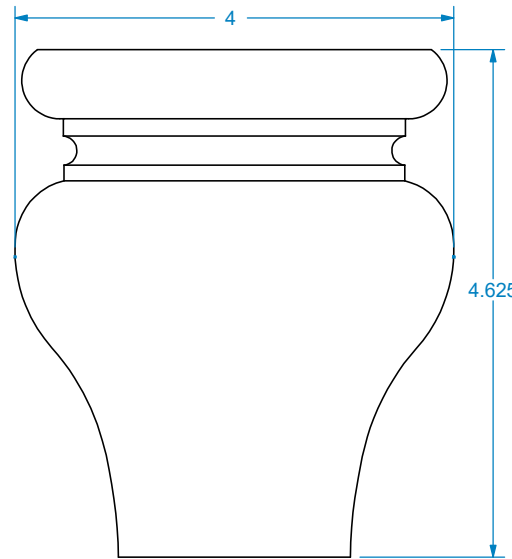
*Designs of distinction*  
by Brown Wood, Inc.  
est. 1927

REVISION HISTORY			TOLERANCES		AVAILABLE WOOD SPECIES
REV	REV DATE	DESCRIPTION	WIDTH	± .03125"	(AK) RED OAK (AL) ALDER (CH) CHERRY
A	10/27/2015	UPDATED TO MATCH CATLOG INFORMATION	THICKNESS	± .03125"	(HM) HARD MAPLE (PT) PAINT GRADE
			LENGTH	± .0625"	NOTES: ADDITIONAL SPECIES AVAILABLE
			ANGULAR	± x.x°	
			PROFILE	± x.xxx"	
			Use General Tolerances Unless Noted		Do not scale. Use dimensions only. All dimensions are in inches unless noted

TITLE: ASTER ISLAND COLUMN	
NOMINAL SIZE 3.5" X 3.5" X 34.5"	
DWG #: <b>01510202-1</b>	REV: A
DATE: 10/31/2015	SCALE: 1:4



**KBIS 2019  
SET 6  
x1  
MAPLE**



*Designs of*  
**distinction**  
by Brown Wood, Inc.  
est. 1927

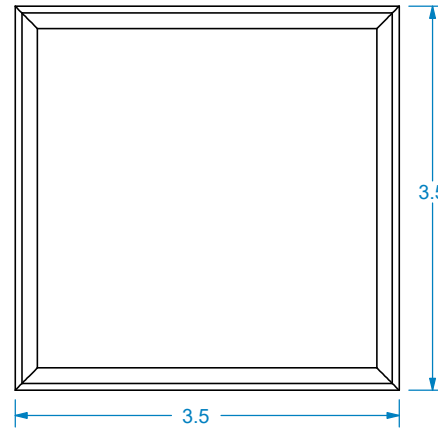
REVISION HISTORY		
REV	REV DATE	DESCRIPTION
A	11/14/2015	UPDATED TO MATCH CATALOG INFORMATION

TOLERANCES	
WIDTH	± .03125"
THICKNESS	± .03125"
LENGTH	± .0625"
ANGULAR	± x.x°
PROFILE	± x.xxx"
Use General Tolerances Unless Noted	

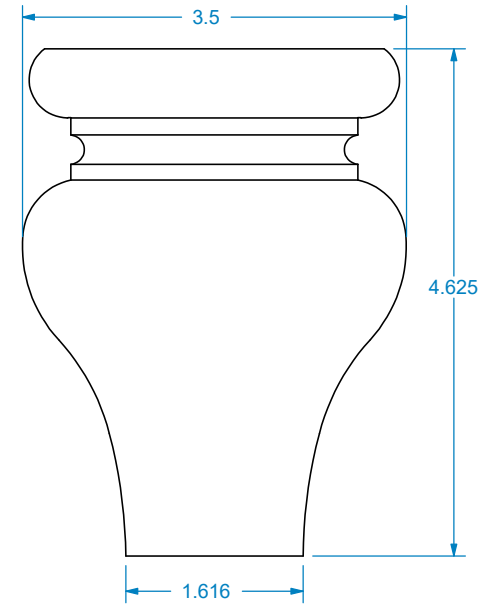
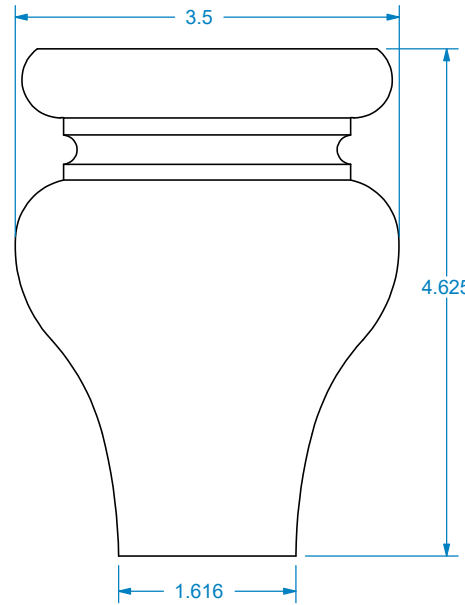
AVAILABLE WOOD SPECIES	
(AK) RED OAK	(AL) ALDER (CH) CHERRY
(HM) HARD MAPLE	(PT) PAINT GRADE
(QS) QTR SAWN RED OAK	
NOTES: ADDITIONAL SPECIES AVAILABLE	
Do not scale. Use dimensions only. All dimensions are in inches unless noted	

TITLE: TOE KICK TULIP BUN FOOT	
NOMINAL SIZE 4" X 2.5" X 4.625"	
DWG #: <b>01706060-1</b>	REV: A
DATE: 11/14/2015	SCALE: 1:1.75





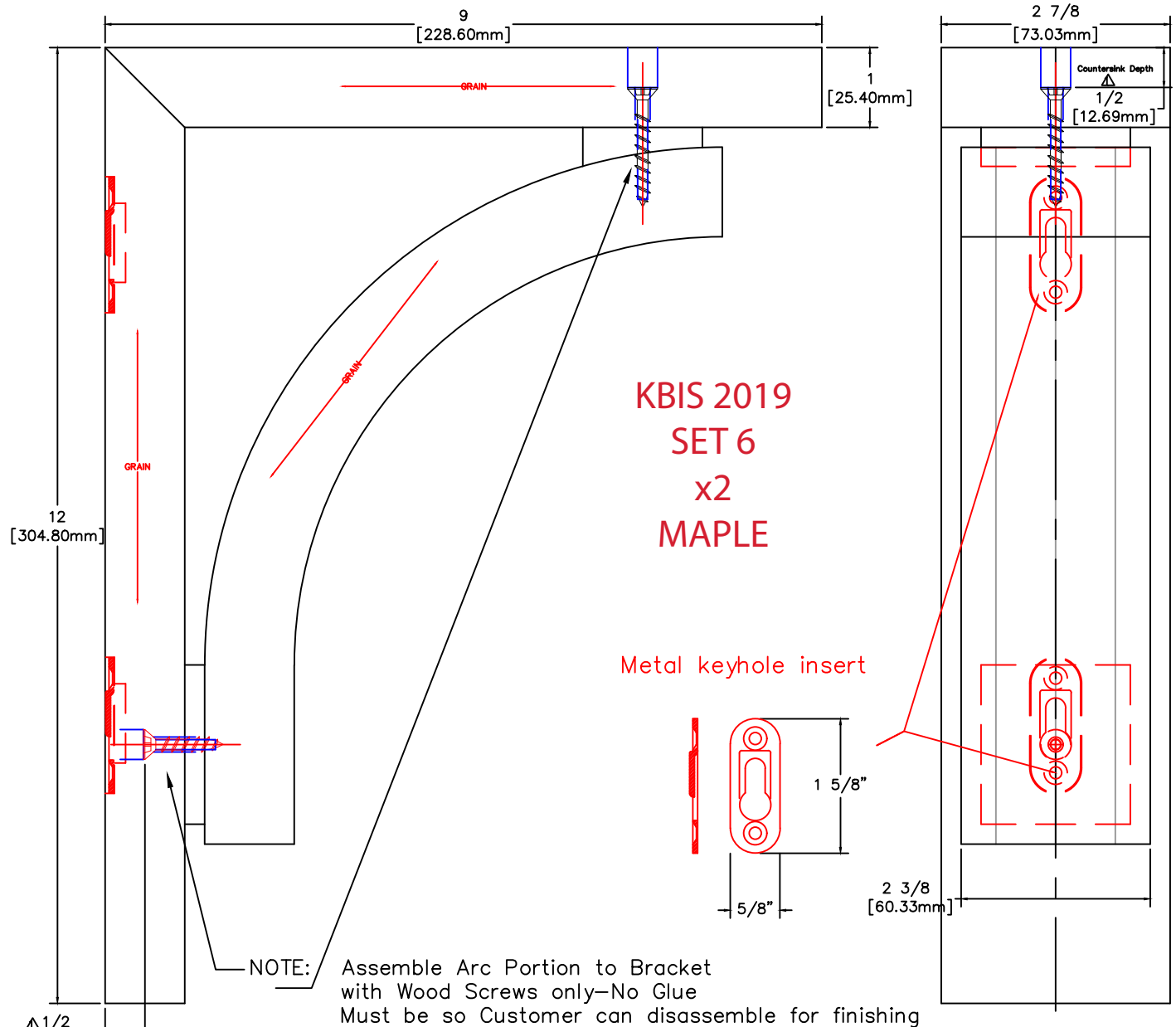
KBIS 2019  
SET 6  
x2  
MAPLE



*Designs of*  
**distinction**  
by Brown Wood, Inc.  
est. 1927

REVISION HISTORY			TOLERANCES		AVAILABLE WOOD SPECIES		TITLE: SQUARE TULIP BUN FOOT	
REV	REV DATE	DESCRIPTION	WIDTH	± .03125"	(AK) RED OAK	(AL) ALDER	(CH) CHERRY	NOMINAL SIZE 3.5" X 3.5" X 4.625"
A	11/14/2015	UPDATED TO MATCH CATALOG INFORMATION	THICKNESS	± .03125"	(HM) HARD MAPLE	(PT) PAINT GRADE	DWG #: <b>01706065-1</b>	
			LENGTH	± .0625"	NOTES: ADDITIONAL SPECIES AVAILABLE			REV: A
			ANGULAR	± x.x°	Do not scale. Use dimensions only. All dimensions are in inches unless noted			DATE: 11/14/2015
			PROFILE	± x.xxx"				SCALE: 1:1.75
			Use General Tolerances Unless Noted					

CATALOG NUMBER	FINISH
198.12.650	Cherry
198.12.150	Maple
198.12.450	Oak



KBIS 2019  
SET 6  
x2  
MAPLE

Metal keyhole insert

NOTE: Assemble Arc Portion to Bracket with Wood Screws only—No Glue Must be so Customer can disassemble for finishing

Δ1/2 [12.71mm] Countersink Depth
<b>TOLERANCE</b> unless otherwise noted
Fractional +/- 1/16"
Non-dimensional (pattern reference) +/- 1/8"

RevNo	Revision note	Date	Signature	Checked

STATUS
05

Prairie large corbel 198.12.X50

NOTICE  
THIS DRAWING AND ALL INFORMATION THEREON IS THE PROPERTY OF:

**HÄFELE**

THIS DRAWING AND INFORMATION THEREON IS CONFIDENTIAL. MUST NOT MADE PUBLIC, COPIED OR USED TO DISADVANTAGE OF SAID HÄFELE AMERICA CO. IT IS SUBJECT TO RETURN ON DEMAND.  
2014 HAFELE AMERICA, CO.

DATE: 08.05.2015

SCALE: 1:2

DRAWN BY: NPG

PUM APPROVAL: GS

SPECIFICATION

MAT'L: See table

FINISH: See table

CUSTOMER APPROVAL